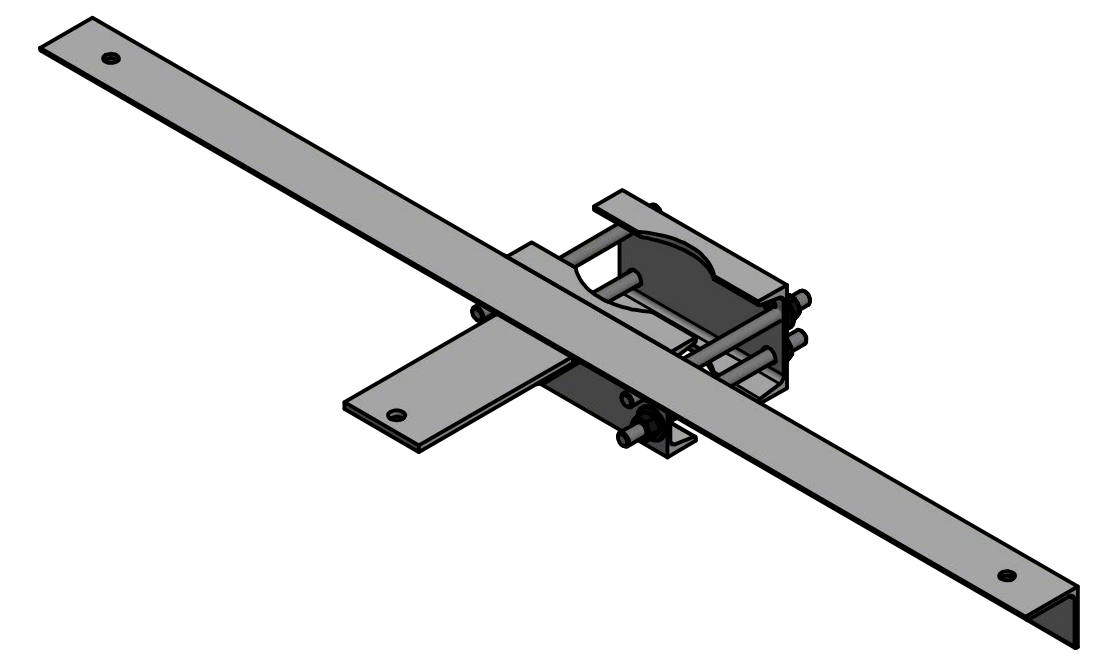
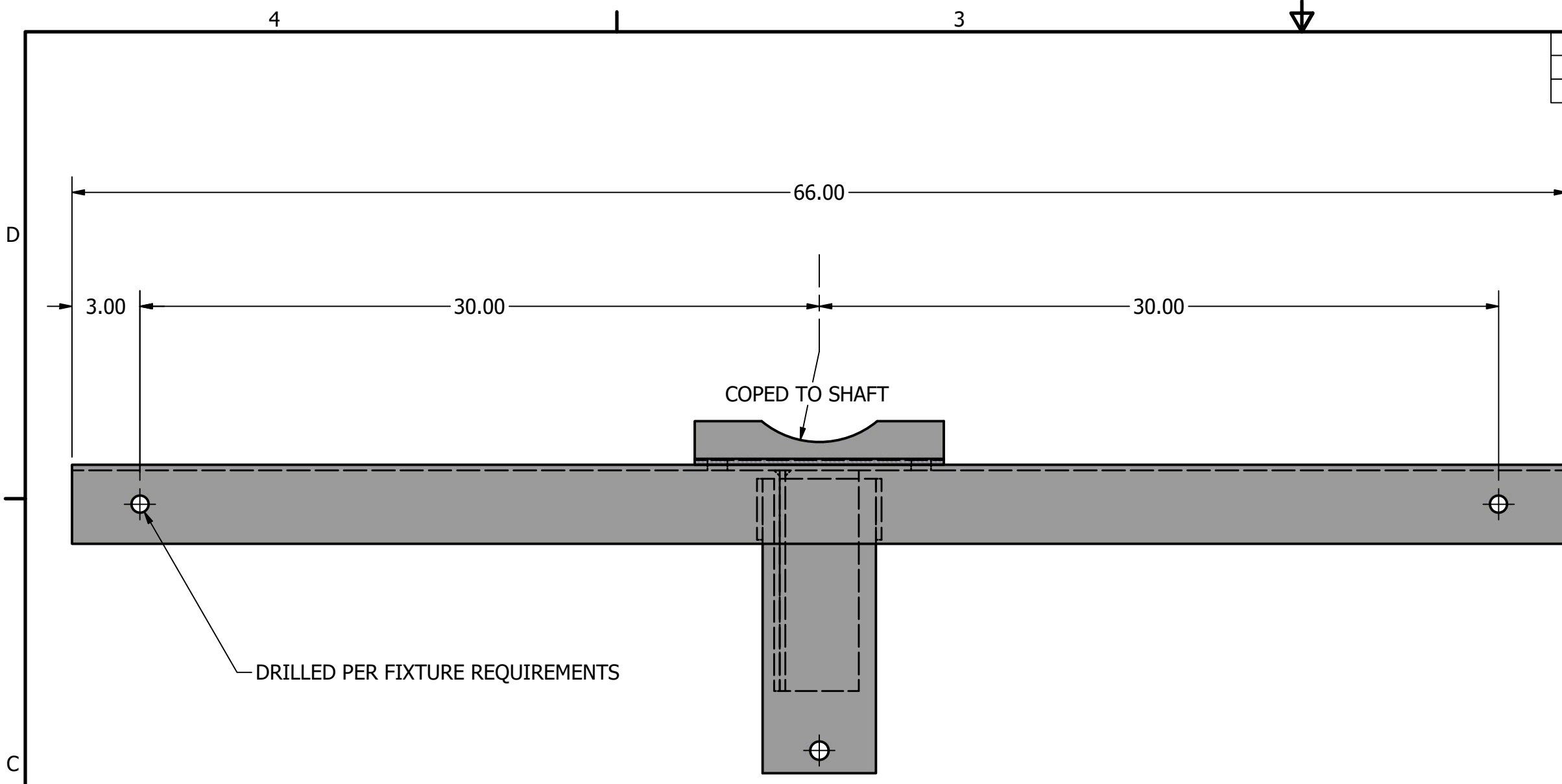
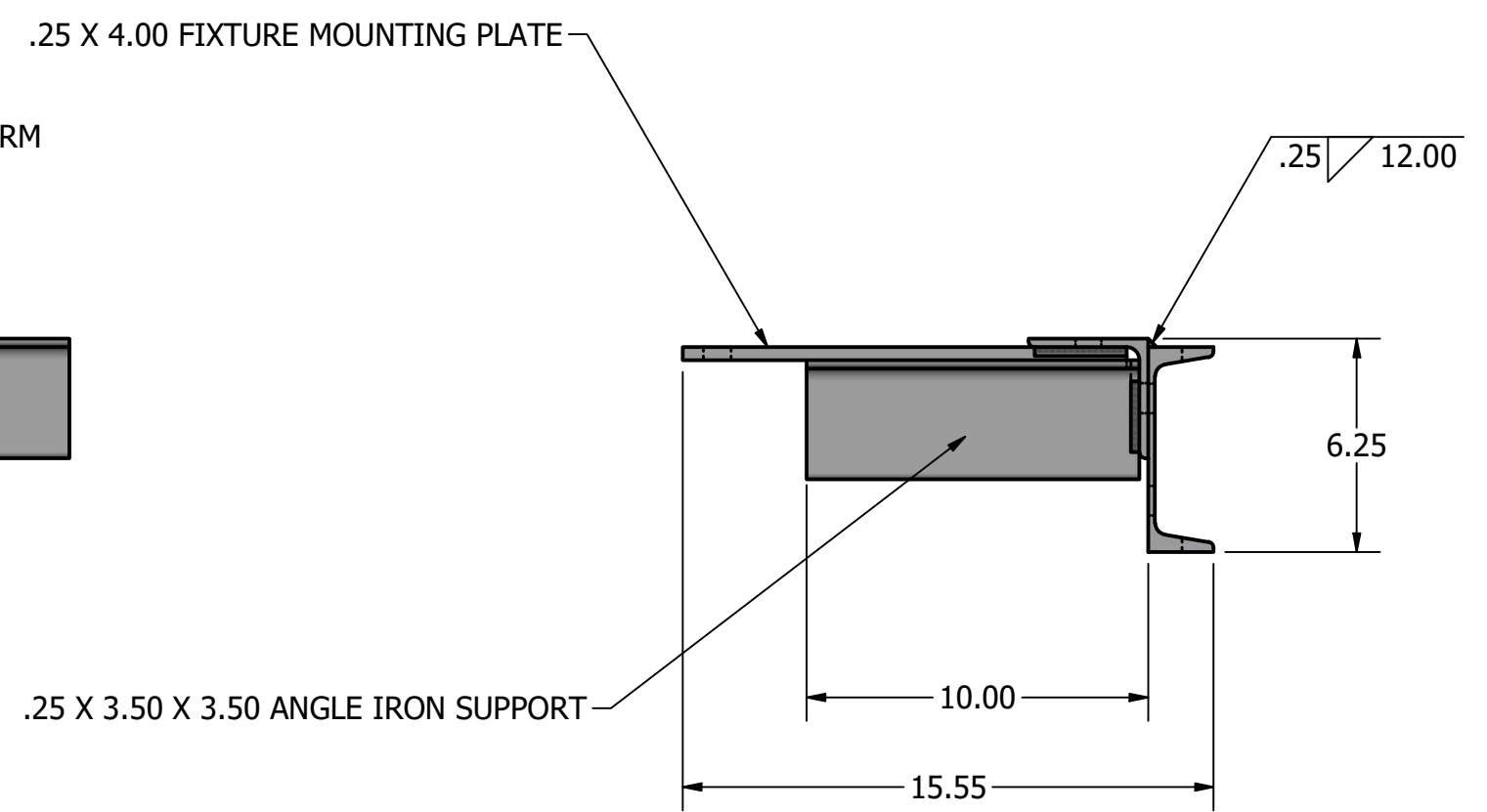
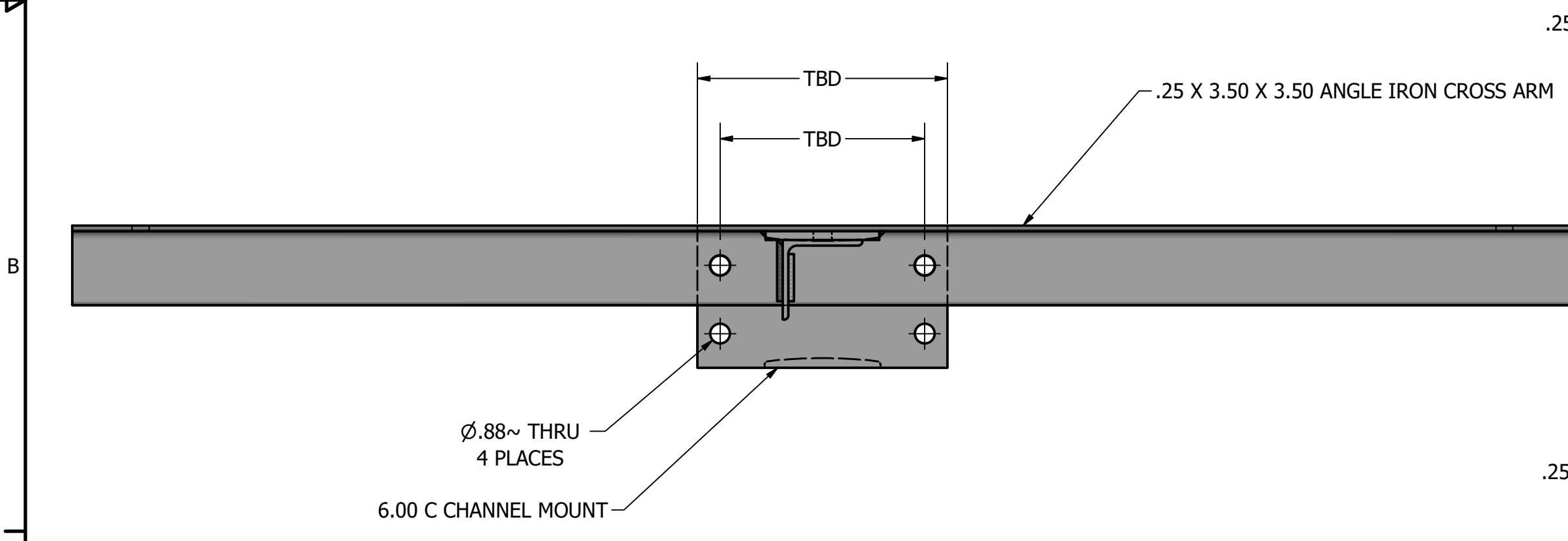


| PXB BRACKET SPECIFICATIONS | | | |
|----------------------------|---------------|---------------|--------------------|
| CATALOG # | # OF FIXTURES | EPA (SQ. FT.) | SHIPPING WT. (LBS) |
| PXB-3 | 3 | 1.75 | 55 |




ISOMETRIC VIEW



NOTE: THE C CHANNEL DIMENSIONS AND COPING IS DETERMINED ACCORDING TO THE POLE DIAMETER AT WHICH THE BRACKET WILL BE MOUNTED.

NOTE: PXB CROSS ARM BRACKETS ARE CONSTRUCTED WITH STRUCTURAL ANGLE IRON & C CHANNEL CONFORMING TO ASTM A-36 HRS SPECIFICATIONS. PXB BRACKETS ARE DESIGNED FOR DIRECT SIDE MOUNTING TO METAL POLES. BRACKETS COME WITH MOUNTING HARDWARE AND ARE FINISHED TO MATCH POLE.



 P.O. Box 340
 Eastpointe, MI 48021
 P: (586) 771-4610 | F: (586) 771-5527
 www.lytepoles.com
a DWM company

| | |
|---------------------|-----------------|
| DRAWN: D. KONCHADA | DATE: 7/19/2021 |
| REVISION: | DATE: |
| QUOTE: | P.O.# |
| APPROVAL SIGNATURE: | |

| | | |
|---|--------|--------------|
| SOME GEOGRAPHICAL AREAS HAVE SPECIAL WIND CONDITIONS THAT CAN CREATE WIND INDUCED VIBRATIONS CAUSING A FATIGUE PROBLEM. NO METHOD HAS YET BEEN FOUND FOR PREDICTING DESTRUCTIVE LIGHTING POLE VIBRATION. THESE CONDITIONS ARE UNIQUE AND CANNOT BE GUARANTEED AGAINST, AND ARE THE RESPONSIBILITY OF A LOCAL SITE ENGINEER. | | |
| WARNING: DO NOT INSTALL LIGHT POLE WITHOUT INTENDED LOADING. | | |
| TITLE: | | |
| CATALOG: | | |
| DWG NO: PXB-3 | SIZE C | SHEET 1 OF 1 |

