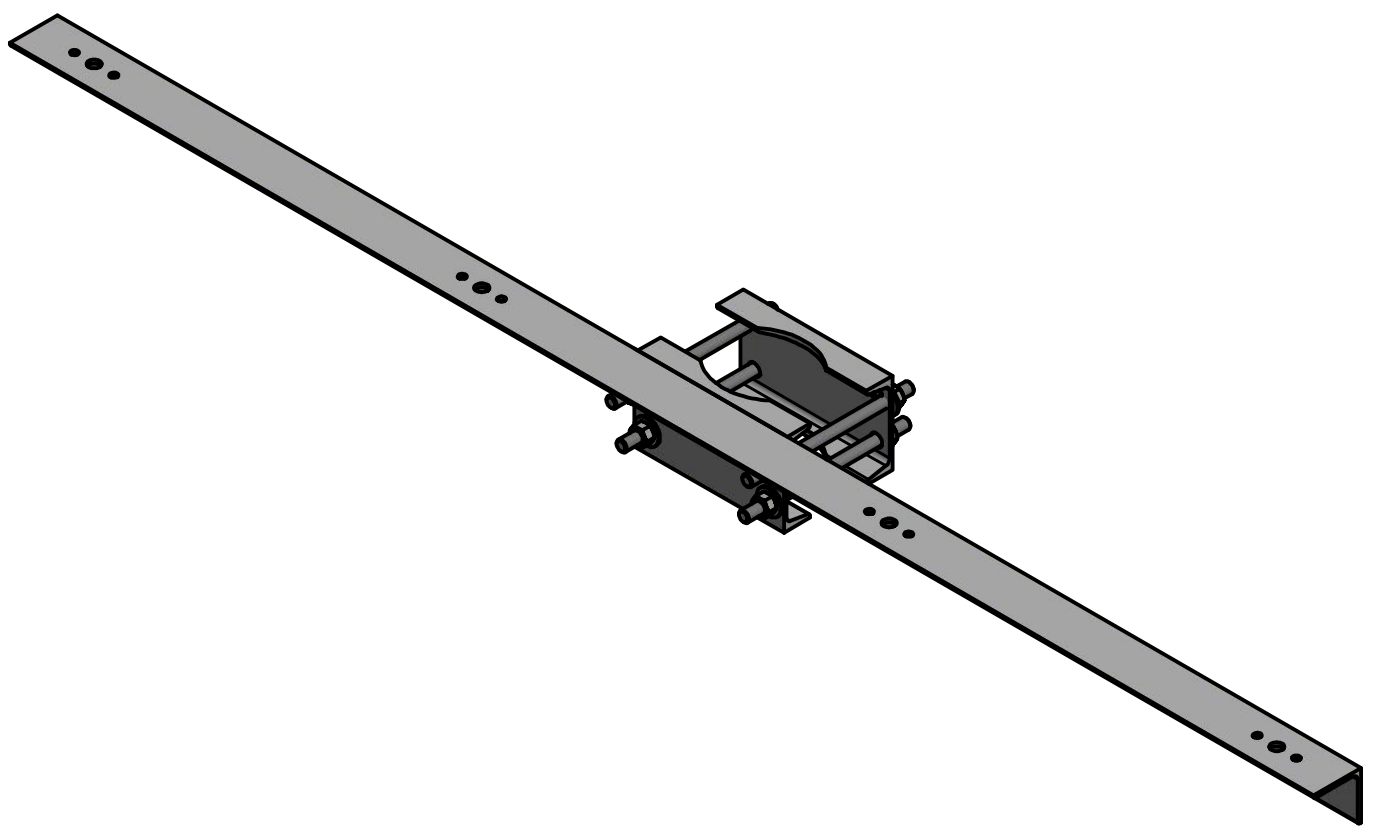
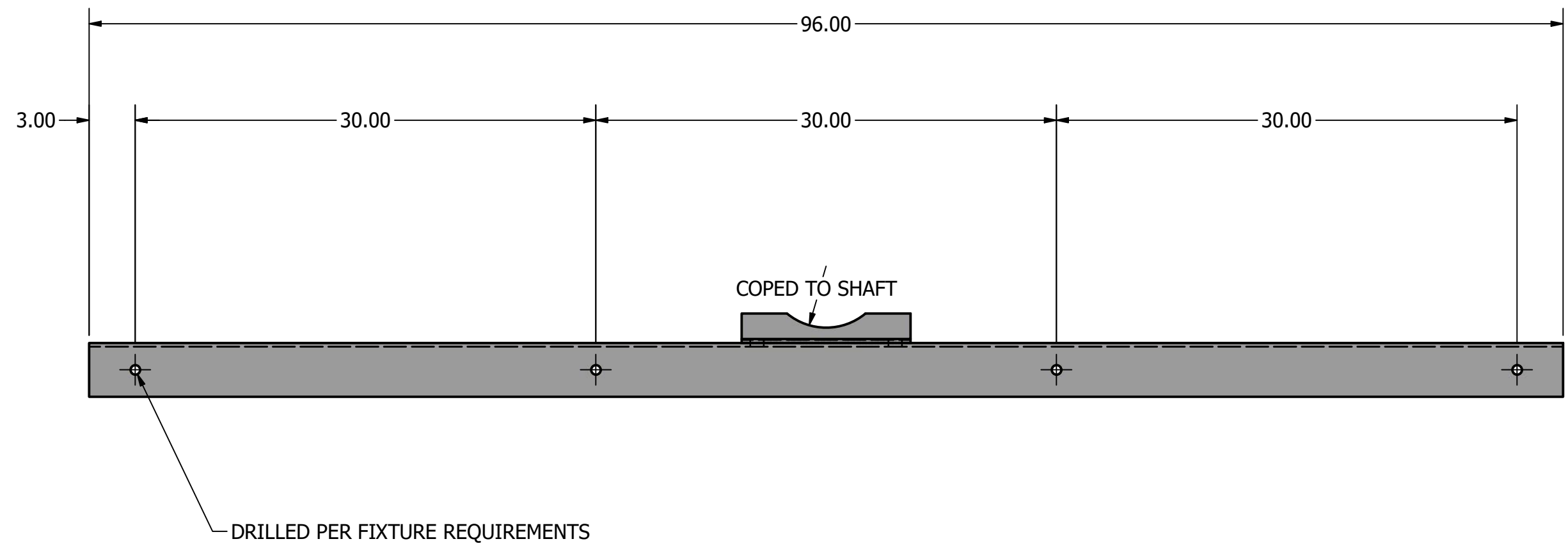
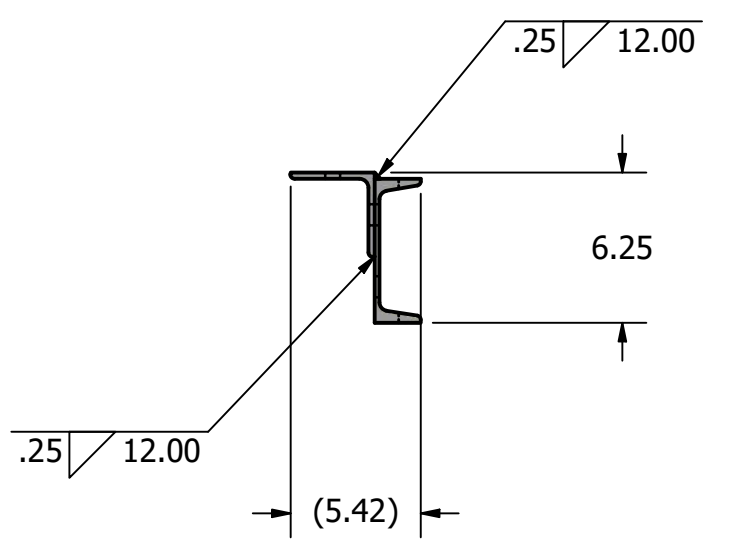
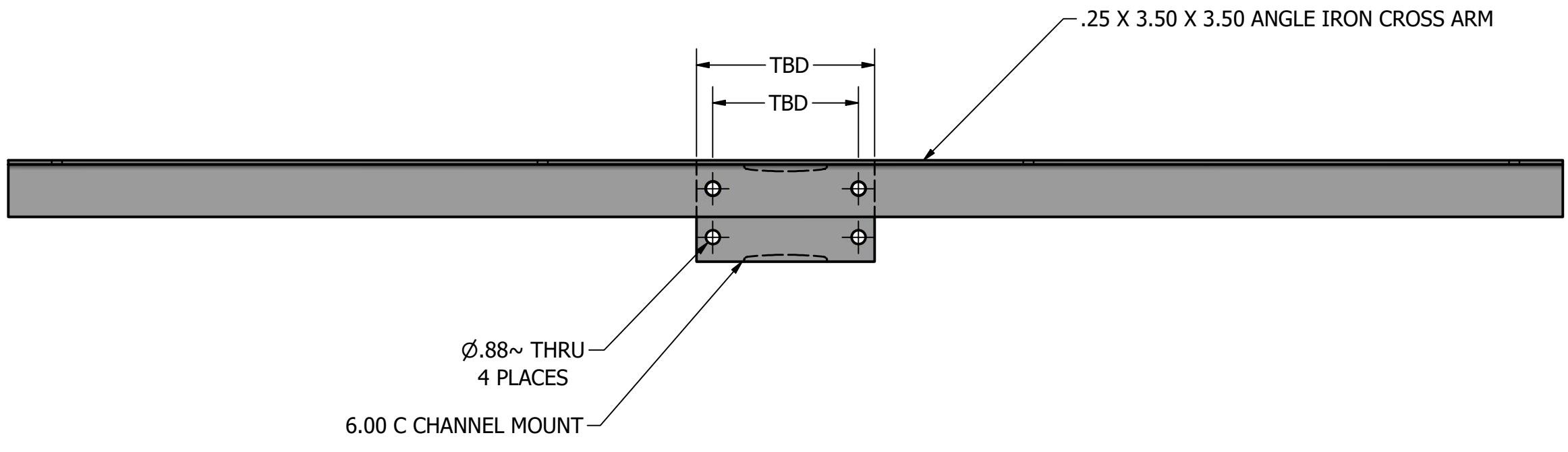


PXB BRACKET SPECIFICATIONS			
CATALOG #	# OF FIXTURES	EPA (SQ. FT.)	SHIPPING WT. (LBS)
PXB-4	4	3.70	71



ISOMETRIC VIEW



NOTE: THE C CHANNEL DIMENSIONS AND COPING IS DETERMINED ACCORDING TO THE POLE DIAMETER AT WHICH THE BRACKET WILL BE MOUNTED.

NOTE: PXB CROSS ARM BRACKETS ARE CONSTRUCTED WITH STRUCTURAL ANGLE IRON & C CHANNEL CONFORMING TO ASTM A-36 HRS SPECIFICATIONS. PXB BRACKETS ARE DESIGNED FOR DIRECT SIDE MOUNTING TO METAL POLES. BRACKETS COME WITH MOUNTING HARDWARE AND ARE FINISHED TO MATCH POLE.



 P.O. Box 340
 Eastpointe, MI 48021
 P: (586) 771-4610 | F: (586) 771-5527
 www.lytepoles.com
a DWM company

DRAWN: D. KONCHADA	DATE: 7/20/2021
REVISION:	DATE:
QUOTE:	P.O.#
APPROVAL SIGNATURE:	

SOME GEOGRAPHICAL AREAS HAVE SPECIAL WIND CONDITIONS THAT CAN CREATE WIND INDUCED VIBRATIONS CAUSING A FATIGUE PROBLEM. NO METHOD HAS YET BEEN FOUND FOR PREDICTING DESTRUCTIVE LIGHTING POLE VIBRATION. THESE CONDITIONS ARE UNIQUE AND CANNOT BE GUARANTEED AGAINST, AND ARE THE RESPONSIBILITY OF A LOCAL SITE ENGINEER.		
WARNING: DO NOT INSTALL LIGHT POLE WITHOUT INTENDED LOADING.		
TITLE:		
CATALOG:		
DWG NO: PXB-4	SIZE C	SHEET 1 OF 1

