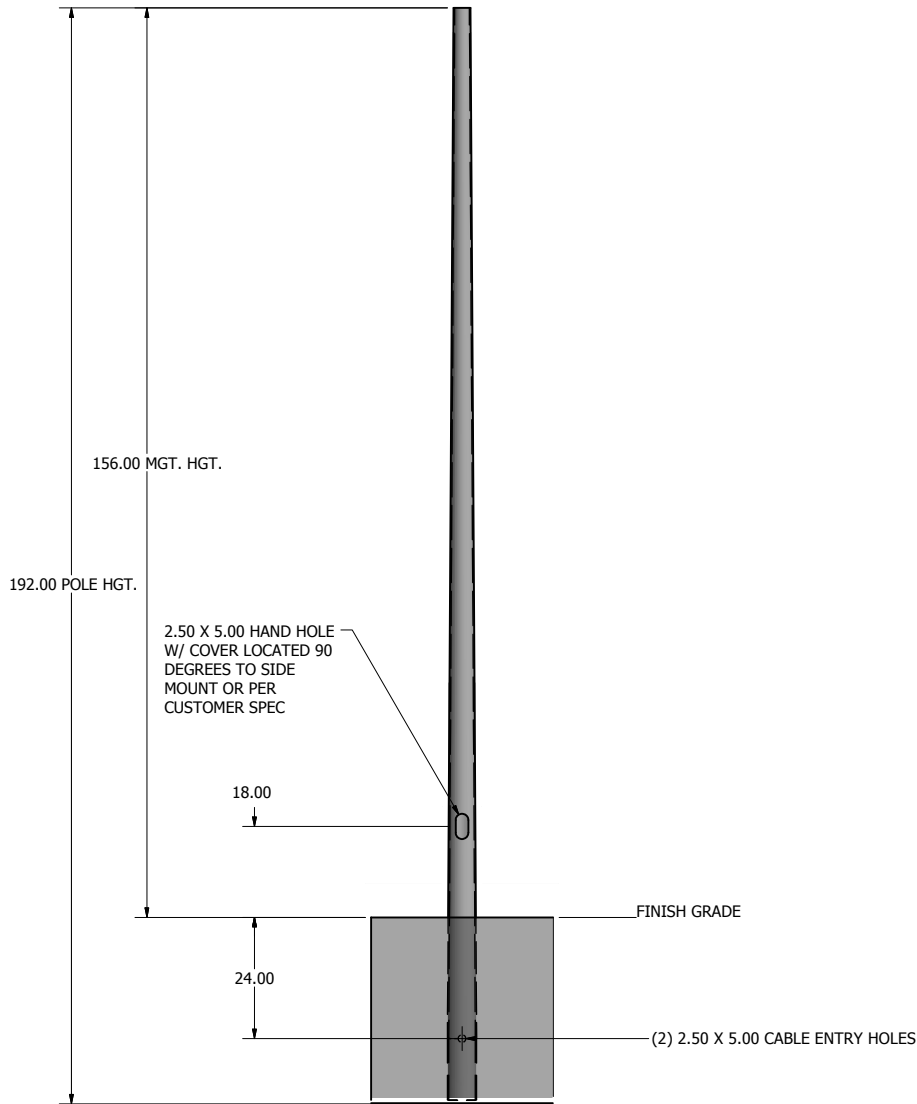
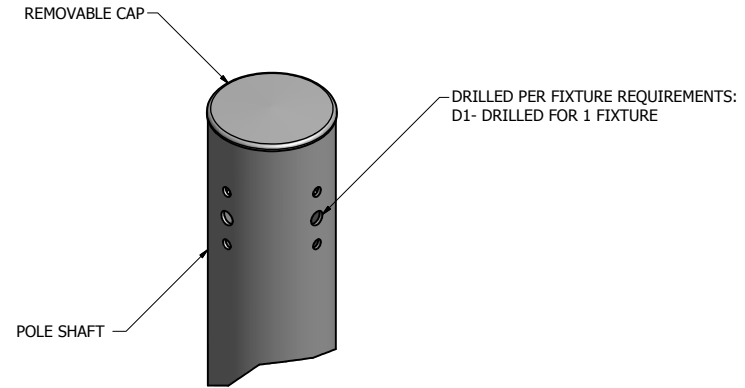


| POLE SHAFT SPECIFICATIONS        |  |                |         |                       |         |                 |
|----------------------------------|--|----------------|---------|-----------------------|---------|-----------------|
| NO.                              |  |                |         |                       |         |                 |
| 1.                               | ROUND TAPERED POLE CONSTRUCTED OF THERMOSETTING RESIN REINFORCED WITH GLASS OR OTHER FIBERS OF SUCH QUANTITY AND ORIENTATION TO MEET OR EXCEED PERFORMANCE REQUIREMENT SET FORTH IN ANSI C136.20-2012. THE GLASS AND VEIL MATTING SHALL BY CENTRIFUGALLY SPUN WITH A REINFORCED RESIN MATRIX PER THE EXACT SPECIFICATIONS OF THE DESIGN. THE HAND HOLE AREA AND HARDWARE ATTACHMENT AREAS SHALL BE REINFORCED. |                |         |                       |         |                 |
| 2.                               | POLES SHALL HAVE A HIGHLY WEATHER-RESISTANT SURFACE FINISH IN COMPLIANCE WITH ANSI C136.20-2012  |                |         |                       |         |                 |
| POLE DIMENSIONS                  |  |                |         |                       |         |                 |
| POLE HGT. (FT.)                  |  | TIP DIA. (IN.) |         | GROUNDLINE DIA. (IN.) |         | MTG. HGT. (FT.) |
| 16'                              |  | 3.0            |         | 5.6                   |         | 13'             |
| ALLOWABLE WIND LOADING (SQ. FT.) |  |                |         |                       |         |                 |
| 90 MPH                           | 100 MPH  | 110 MPH        | 120 MPH | 130 MPH               | 140 MPH | 150 MPH         |
| 6.1                              | 4.5  | 3.4            | 2.6     | 2.1                   | 1.7     | 1.4             |

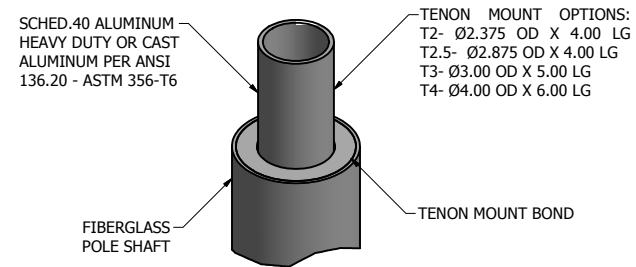
\* WITH A 1.3 GUST FACTOR



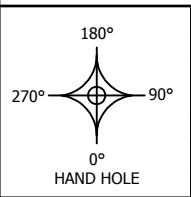
POLE DETAIL



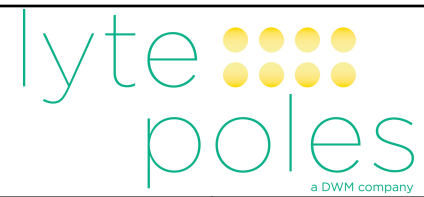
DRILL MOUNT OPTIONS



TENON MOUNT OPTIONS



|                  |                 |
|------------------|-----------------|
| DRAWN: K. GUFFEY | 8/12/2021       |
| CHECKED:         |                 |
| REVISION: 4      | DATE: 2/05/2024 |
| APPROVED:        |                 |
| QUOTE:           |                 |
| S.O.#            |                 |
| REF:             | SCALE: NONE     |



|   |         |              |
|---|---------|--------------|
| SOME GEOGRAPHICAL AREAS HAVE SPECIAL WIND CONDITIONS THAT CAN CREATE WIND INDUCED VIBRATIONS CAUSING A FATIGUE PROBLEM. NO METHOD HAS YET BEEN FOUND FOR PREDICTING DESTRUCTIVE LIGHTING POLE VIBRATION. THESE CONDITIONS ARE UNIQUE AND CANNOT BE GUARANTEED AGAINST, AND ARE THE RESPONSIBILITY OF A LOCAL SITE ENGINEER. |         |              |
| TITLE:  |         |              |
| CATALOG:  |         |              |
| DWG NO: 415-1-EMB-16  | SIZE: C | SHEET 1 OF 1 |