

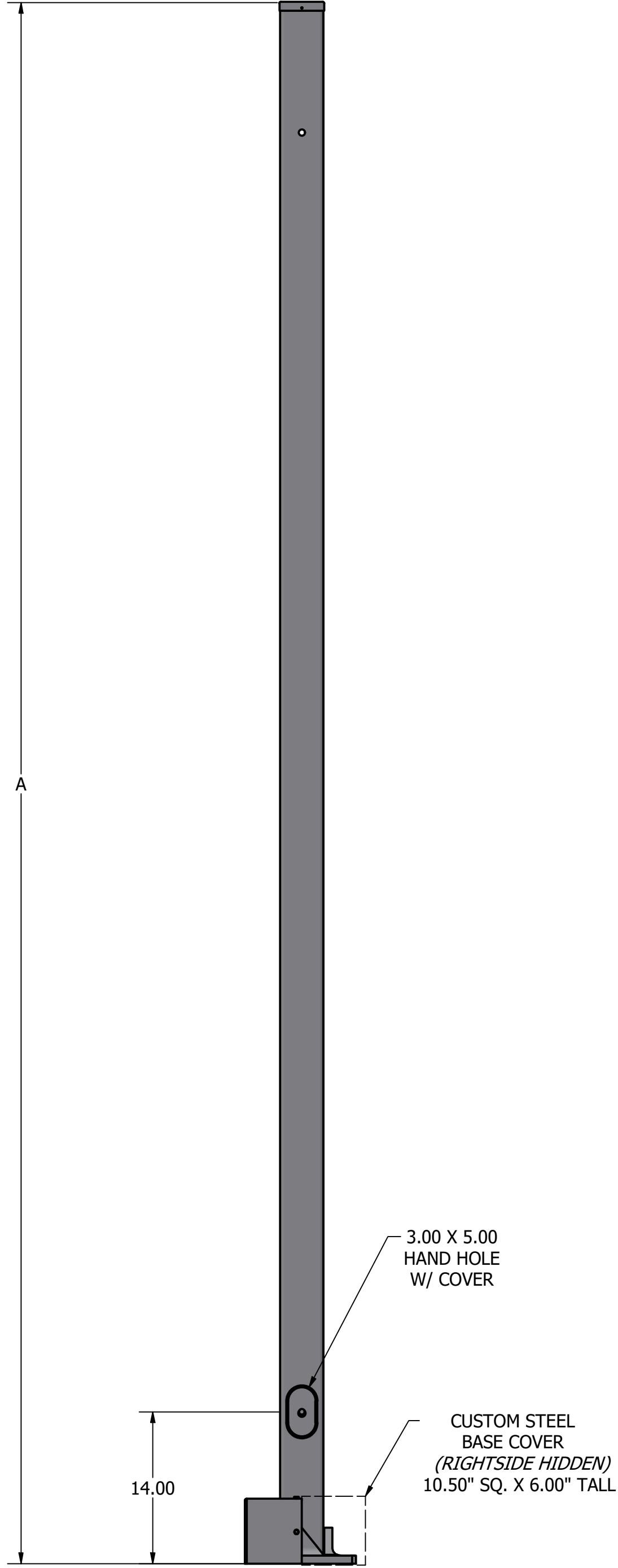
SQUARE STRAIGHT STEEL PYRAMID BASE

SUBMITTAL PURPOSE ONLY

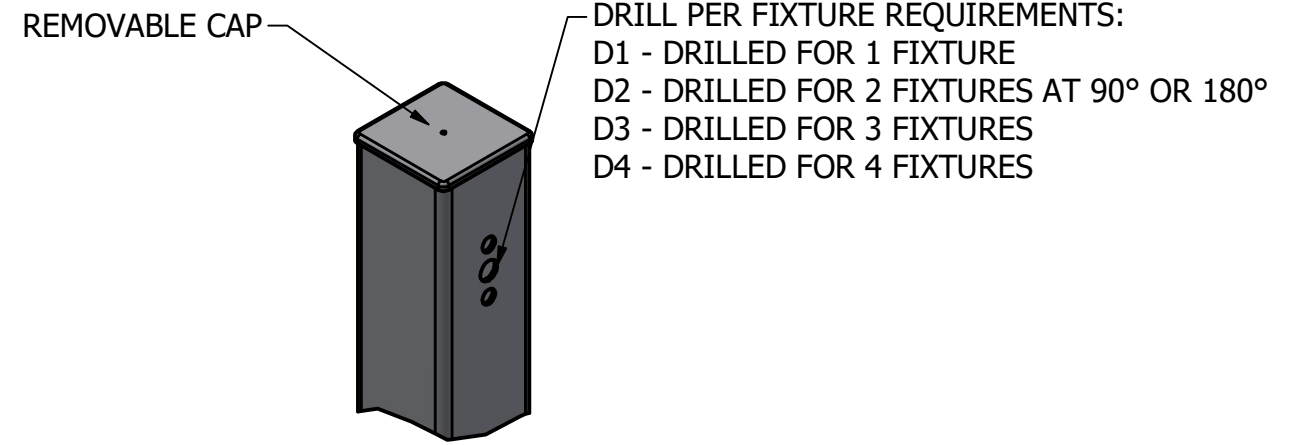
STANDARD FINISH	
CO.	NAME
TWH	TEXTURED WHITE
DB	DARK BRONZE
HB	HARVEST BRONZE
TMB	TEXTURED MEDIUM BRONZE
NB	NEW BRONZE
SL	SILVER
MG	MEDIUM GRAY
GR	GRAY
MA	MATTE ALUMINUM
PSP	PLATINUM SILVER
BK	BLACK
TBK	TEXTURED BLACK

POLE SPECIFICATIONS		
NO.	COMPONENT	ASTM DESIGNATION
1.	POLE SHAFT	A-500 GR. B
2.	BASE PLATE	A36
3.	ANCHOR BOLTS	F1554 GR. 55
4.	GALVANIZED HARDWARE	A153

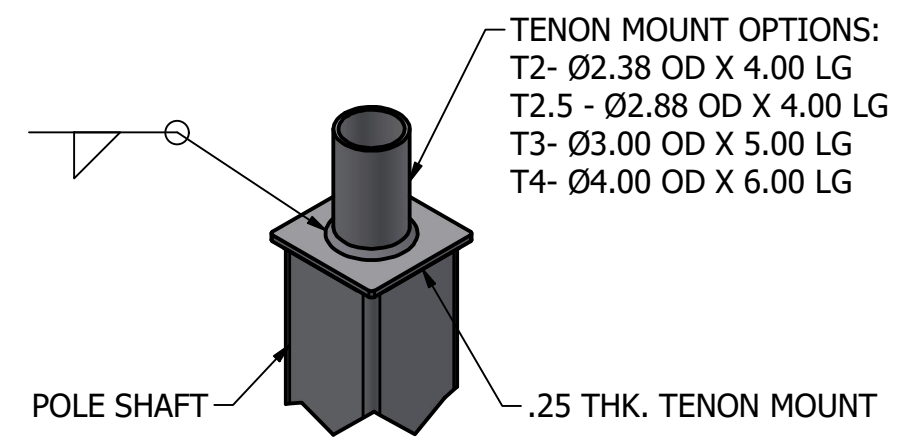
FINISH SPECIFICATIONS						
POLES SHALL HAVE A POLYESTER POWDER COAT FINISH IN A STANDARD COLOR.						
AVAILABLE POLES						
A	SHAFT SIZE	GUAGE	ANCHOR BOLT	BASE PLATE SIZE	BOLT CIRCLE	BOLT HOLE
15'	5	7GA	Ø.75 X 20.00	PY-10X10X3.60	Ø9.75-Ø11.31	1.25
20'	5	7GA	Ø1.00 x 40.00	PY-10X10X3.60	Ø9.75-Ø11.31	1.25
22'	5	7GA	Ø.75 X 20.00	PY-10X10X3.60	Ø9.75-Ø11.31	1.25
25'	5	7GA	Ø1.00 x 40.00	PY-10X10X3.60	Ø9.75-Ø11.31	1.25
30'	5	7GA	Ø.75 X 20.00	PY-10X10X3.60	Ø9.75-Ø11.31	1.25



POLE DETAIL

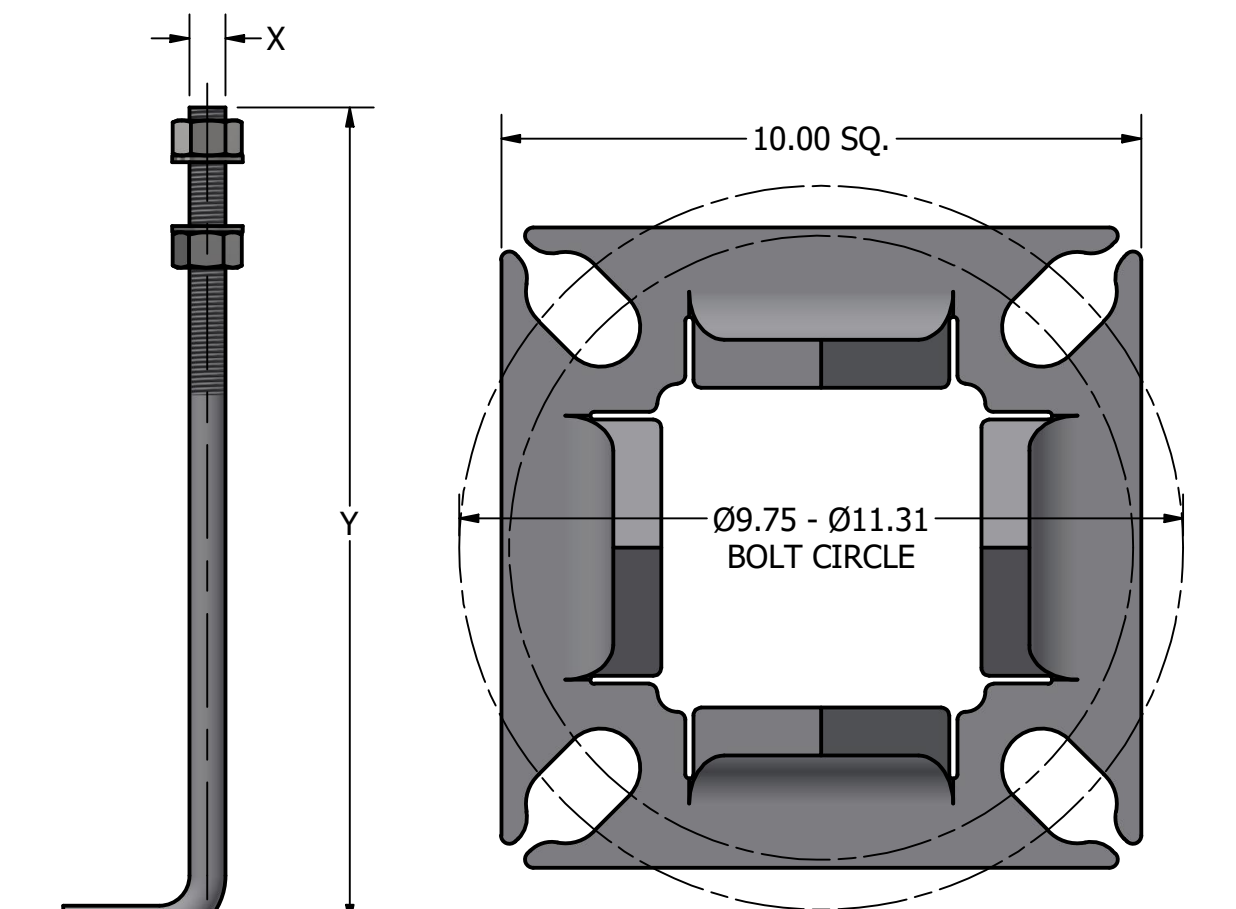


DRILL MOUNT OPTIONS



TENON MOUNT OPTIONS

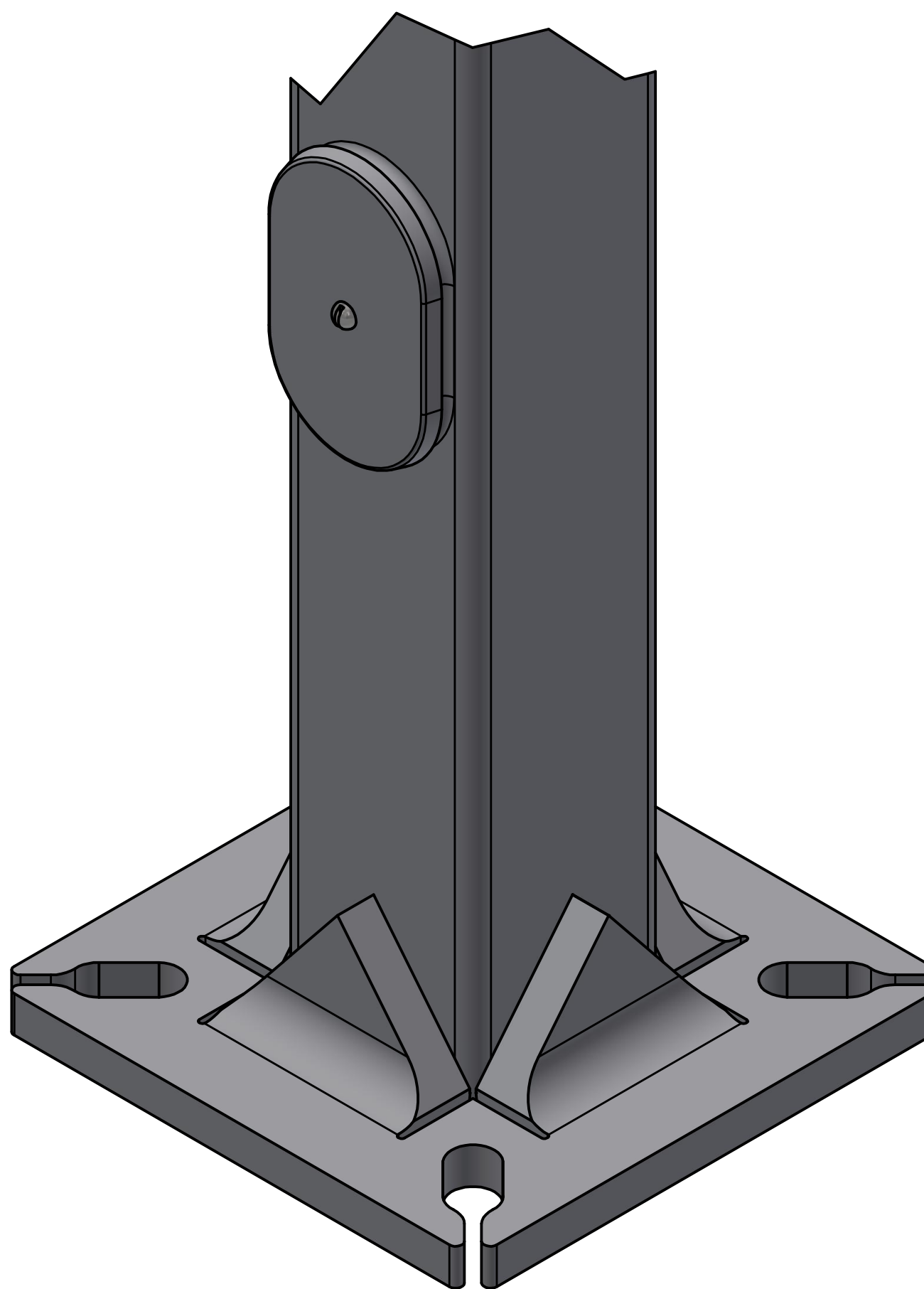
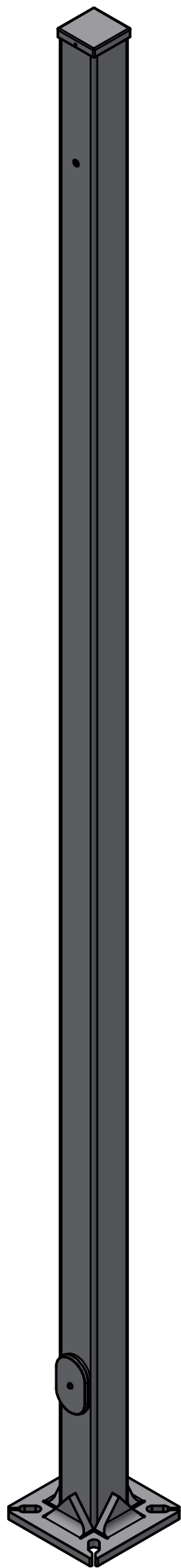
ANCHOR BOLT



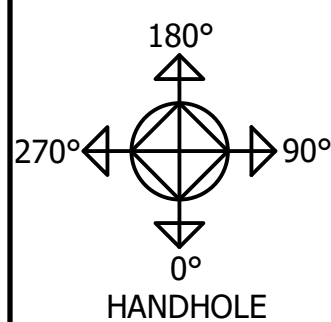
10.00 X 10.00 X 3.60 THK. BASE PLATE


SOME GEOGRAPHICAL AREAS HAVE SPECIAL WIND CONDITIONS THAT CAN CREATE WIND INDUCED VIBRATIONS CAUSING A FATIGUE PROBLEM. NO METHOD HAS YET BEEN FOUND FOR PREDICTING DESTRUCTIVE LIGHTING POLE VIBRATION. THESE CONDITIONS ARE UNIQUE AND CANNOT BE GUARANTEED AGAINST, AND ARE THE RESPONSIBILITY OF A LOCAL SITE ENGINEER.

<p>180°</p> <p>90°</p> <p>0°</p> <p>270°</p> <p>HANDHOLE</p>	QUOTE:	DRAWN: S. MONTGOMERY	WARNING: DO NOT INSTALL LIGHT POLE WITHOUT INTENDED LOADING.			
	PO#	DATE: 9/5/2023	APPROVAL SIGNATURE:			
	<p>P.O. Box 340 Eastpointe, MI 48021 P: (586) 771-4610 F: (586) 771-5527 www.lytepoles.com</p> <p><small>© DWM company</small></p>		TITLE: TYPE:			
	CATALOG: 101-PY-5007-XX-STD DWG: 101-PY-5007-XX		REVISION DATE: 9/5/2023	REV: 0	SIZE: C	SHEET 1 OF 2



SOME GEOGRAPHICAL AREAS HAVE SPECIAL WIND CONDITIONS THAT CAN CREATE WIND INDUCED VIBRATIONS CAUSING A FATIGUE PROBLEM. NO METHOD HAS YET BEEN FOUND FOR PREDICTING DESTRUCTIVE LIGHTING POLE VIBRATION. THESE CONDITIONS ARE UNIQUE AND CANNOT BE GUARANTEED AGAINST, AND ARE THE RESPONSIBILITY OF A LOCAL SITE ENGINEER.



QUOTE:	DRAWN: S. MONTGOMERY	WARNING: DO NOT INSTALL LIGHT POLE WITHOUT INTENDED LOADING.		
PO#	DATE: 9/5/2023	APPROVAL SIGNATURE:		
 P.O. Box 340 Eastpointe, MI 48021 P: (586) 771-4610 F: (586) 771-5527 www.lytepoles.com <small>© DWM company</small>		TITLE: TYPE:		
		CATALOG: 101-PY-5007-XX-STD		
DWG: 101-PY-5007-XX		REVISION DATE: 9/5/2023	REV: 0	SIZE: C SHEET 2 OF 2