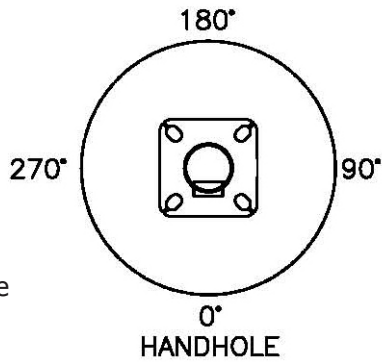
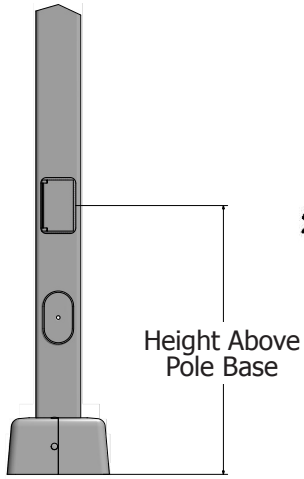


Job Name:

Pole Type:

- For factory installed options and accessories, please specify the orientation in relation to the handhole and the height above the base of the pole.
- Please complete 1 orientation sheet for each pole type if configurations are different.



Option / Accessory	Size (if applicable)	Orientation	Height

Fixture:

Fixture Orientation:

STANDARD FIXTURE ORIENTATION

* As viewed from the top

